

M34/DT2



M34/DT2



M34/DT3VA



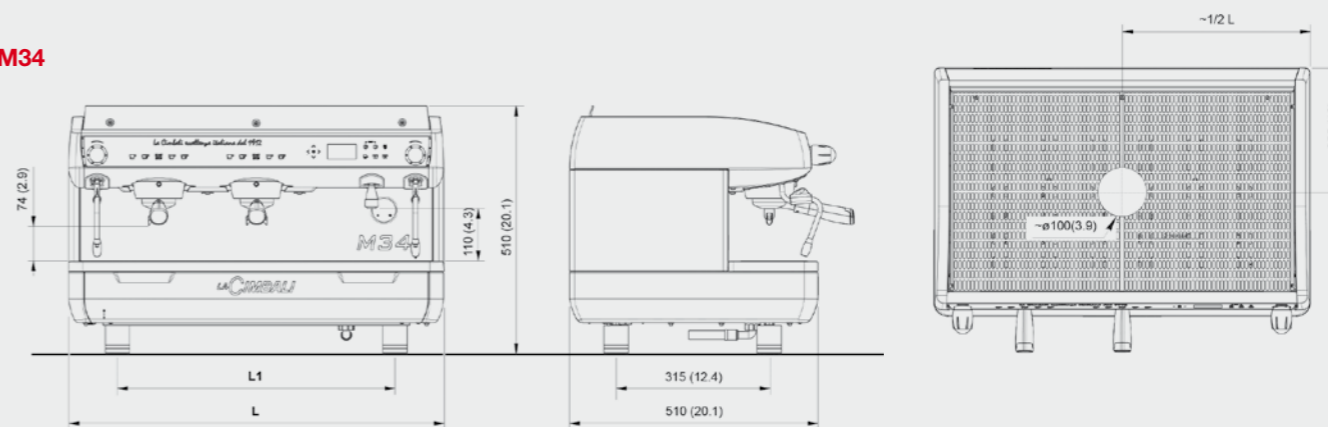
* Disponibile anche a 2 gruppi

Dati tecnici / Données techniques

Machine	power supply	Power at / Leistung bei	line power	supply cable section
M34/2 M34/VA2	380-415V3N 50/60Hz	4.2-4.9 kW	7A	5x1,5 mm ² or 5x2,5 mm ²
	220-240V3 50/60Hz		12A	4x2,5 mm ²
	220-240V 50/60Hz	4.2-4.9 kW or 3.0-3.4 kW	21A (power reduced 14A)	3x4 mm ² or 3x6 mm ²
M34/3 M34/VA3	380-415V3N 50/60Hz	6.2-7.3 kW	11A	5x1,5 mm ² or 5x2,5 mm ²
	220-240V3 50/60Hz		18A	4x2,5 mm ²
	220-240V 50/60Hz		31A	3x4 mm ² or 3x6 mm ²

	M34/2	M34/VA2	M34/3	M34/VA3
W x D x H / B x T x H	817 x 559 x 570 mm	817 x 559 x 570 mm	817 x 559 x 570 mm	817 x 559 x 570 mm
Weight / Gewicht	95 kg	95 kg	129 kg	129 kg

M34



M34 VA

